



espresso coffee machines

# MANUAL FOR USE AND MAINTENANCE

# S8

# S9



## WEEE

**Disposal of the equipment by the users within the European Community ( WEEE) in compliance with the article 13 of the legislative decree issued on 25 July 2005, nr 151 "Implementation of the directives 2002/95/CE,2002/96/CE e 2003/108/CE, concerning the decrease in the usage of dangerous substances in the electrical and electronic equipment and the disposal of waste".**



The symbol of the crossed waste bin indicated on the equipment or on the packaging means that the product at the end of its lifetime must be disposed of separately from all the other waste.

The separate collection of this equipment coming at the end of its lifetime is organized and run by the importer/distributor. The user who should have to dispose of such equipment should get in touch with the importer/ distributor and follow the procedure they have adopted for the separate disposal of the equipment coming at the end of its lifetime. The proper separate disposal of disused equipment so that it can be recycled and treated according what is environmentally compatible contributes to avoid possible negative effects on the Environment and on Health and allows the reutilization and/or the recycling of the materials the equipment is composed of.

The improper disposal by the user causes the enforcement of the administrative sanctions according to current regulations.

## INDEX

<b>1</b>	<b>GENERAL DESCRIPTION OF THE MACHINE .....</b>	<b>3</b>		
1.1	CONTROL PANEL DESCRIPTION .....	11		
<b>2.</b>	<b>GENERAL WARNINGS .....</b>	<b>13</b>		
2.1	SAFETY NORMS.....	13		
2.2	INSTALLATION REQUIREMENTS FOR THE USER.....	15		
2.3	WARNING/TECHNICAL DATA LABELS AND PLATES APPLIED TO THE MACHINE .....	17		
<b>3.</b>	<b>REMOVING THE PACKAGING .....</b>	<b>18</b>		
3.1	STANDARD OUTFIT OF THE MACHINE .....	18		
3.2	OPTIONAL ACCESSORIES (SUPPLIED ONLY ON REQUEST OF THE CUSTOMER).....	19		
<b>4.</b>	<b>STARTING ELECTRIC AND WATER SYSTEM .....</b>	<b>19</b>		
<b>5.</b>	<b>SWITCHING ON THE MACHINE .....</b>	<b>20</b>		
5.1	COFFEE PREPARATION .....	21		
5.2	TAKING HOT WATER FOR INFUSIONS.....	22		
5.3	TIMED HOT WATER FOR INFUSIONS - A.T. - (S8-S9 SERIES, OPTIONAL) .....	22		
5.4	STEAM DELIVERY FOR HOT DRINK PREPARATION .....	23		
5.5	ELECTRIC CUP WARMER (OPTIONAL).....	23		
5.6	TEMPORARY TEMPERATURE INCREASE FUNCTION (S8-S9 SERIES).....	24		
5.7	AUTOMATIC SYSTEM FOR MILK .....			
	EMULSION WITH ADJUSTABLE TEMPERATURE - M.A.T. ....	24		
	(S8-S9 SERIES, OPTIONAL) .....	24		
5.8	CHRONO FUNCTION (OPTIONAL) .....	25		
5.9	COUNTER FUNCTION (OPTIONAL).....	26		
5.10	ALARM MANAGEMENT SERIES S8 - S9 .....	28		
5.11	ALARM MANAGEMENT COMPACT EK SERIES .....	30		
5.12	COMPACT EP MODEL ALARM MANAGEMENT .....	30		
<b>6</b>	<b>ROUTINE APPLIANCE MAINTENANCE TO BE PERFORMED BY THE USER.....</b>	<b>31</b>		
<b>7</b>	<b>TECHNICAL DATA.....</b>	<b>33</b>		

S8-S9



# 1 GENERAL DESCRIPTION OF THE MACHINE

S8

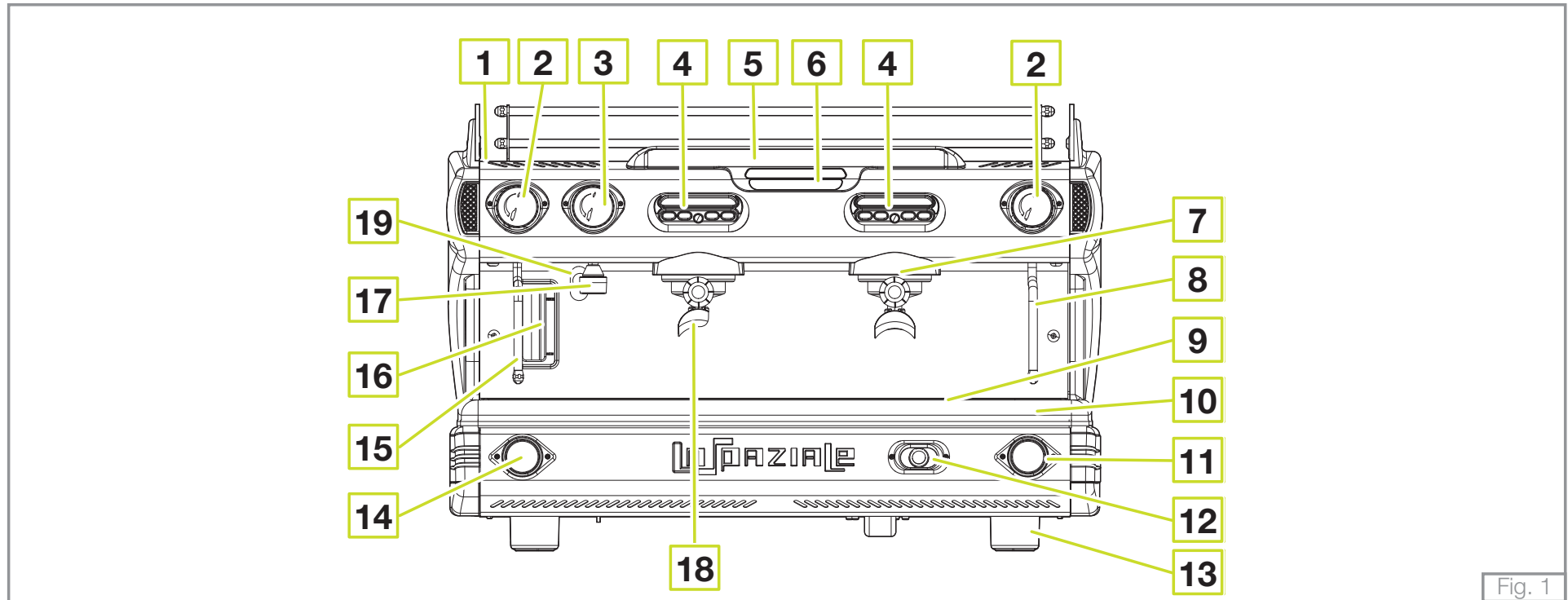


Fig. 1

## LEGEND

- 1. Top cup grid
- 2. Steam delivery knob
- 3. Hot water delivery knob
- 4. Touchpad
- 5. LED light display
- 6. Control panel
- 7. 2-cup filter holder
- 8. Right steam wand

- 9. Drip tray grid
- 10. Water drip tray
- 11. Boiler pressure gauge
- 12. Main on/off switch
- 13. Adjustable foot
- 14. Water mains gauge
- 15. Left steam wand
- 16. Water level glass
- 17. Hot water output

- 18. One-cup filter holder
- 19. Filling valve tap

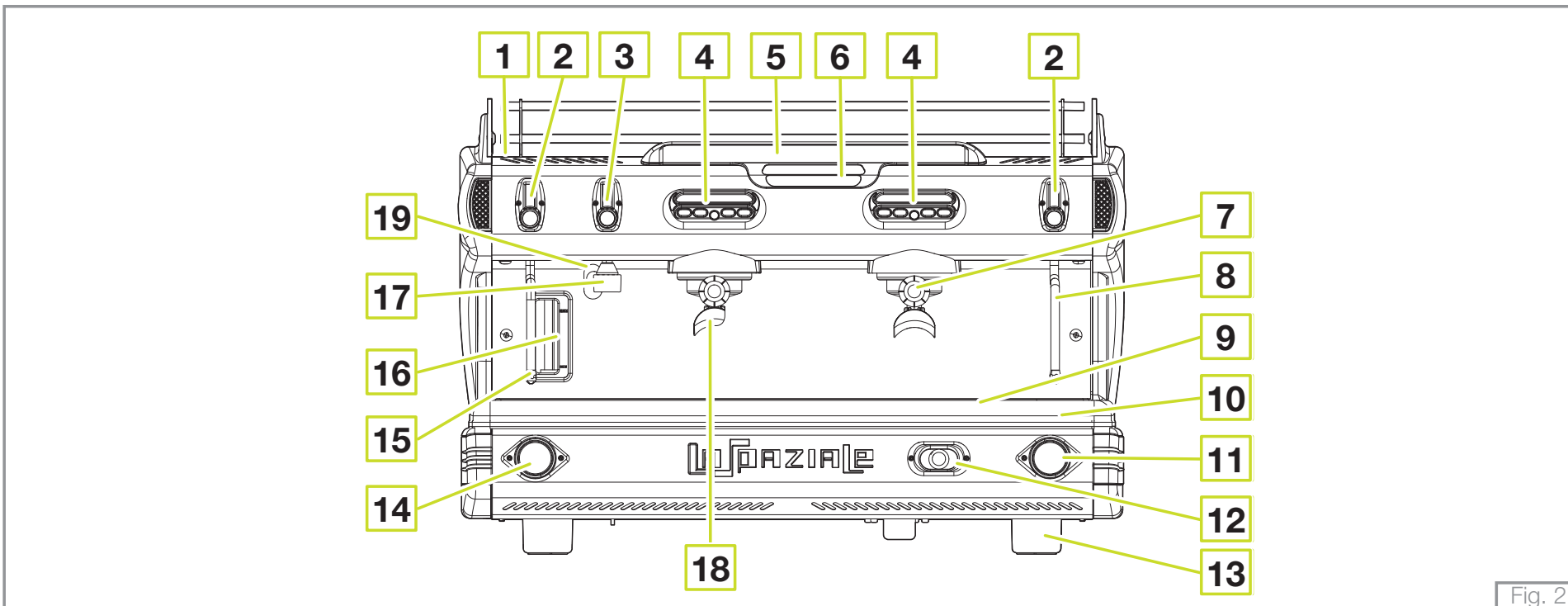


Fig. 2

## LEGEND

- |  |  |
|--|--|
| <ul style="list-style-type: none"> <li>1. Top cup grid</li> <li>2. Steam delivery knob</li> <li>3. Hot water delivery knob</li> <li>4. Touchpad</li> <li>5. LED light display</li> <li>6. Control panel</li> <li>7. 2-cup filter holder</li> <li>8. Right steam wand</li> <li>9. Drip tray grid</li> </ul> | <ul style="list-style-type: none"> <li>10. Water drip tray</li> <li>11. Boiler pressure gauge</li> <li>12. Main on/off switch</li> <li>13. Adjustable foot</li> <li>14. Water mains gauge</li> <li>15. Left steam wand</li> <li>16. Water level glass</li> <li>17. Hot water output</li> <li>18. One-cup filter holder</li> <li>19. Filling valve tap</li> </ul> |
|--|--|

**S8 MAT**

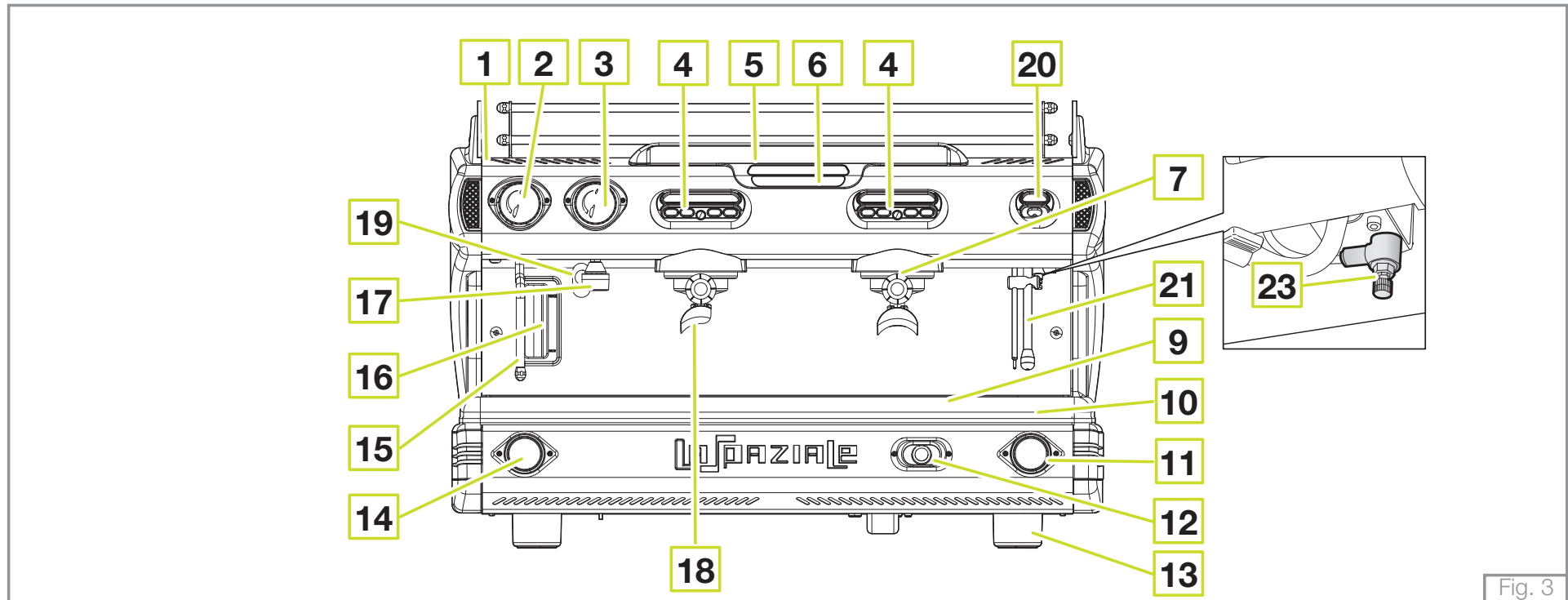


Fig. 3

**LEGEND**

- |   |   |   |
|---|---|---|
| <ul style="list-style-type: none"> <li>1. Top cup grid</li> <li>2. Steam delivery knob</li> <li>3. Hot water delivery knob</li> <li>4. Touchpad</li> <li>5. LED light display</li> <li>6. Control panel</li> <li>7. 2-cup filter holder</li> <li>9. Drip tray grid</li> </ul> | <ul style="list-style-type: none"> <li>10. Water drip tray</li> <li>11. Boiler pressure gauge</li> <li>12. Main on/off switch</li> <li>13. Adjustable foot</li> <li>14. Water mains gauge</li> <li>15. Left steam wand</li> <li>16. Water level glass</li> <li>17. Hot water output</li> <li>18. One-cup filter holder</li> </ul> | <ul style="list-style-type: none"> <li>19. Filling valve tap</li> <li>20. Automatic steam delivery button for milk foaming - M.A.T.- (optional)</li> <li>21. Steam wand with temperature sensor - M.A.T. - (optional)</li> <li>23. Air adjustment for milk foaming - M.A.T. - (optional)</li> </ul> |
|---|---|---|

## S9 MAT

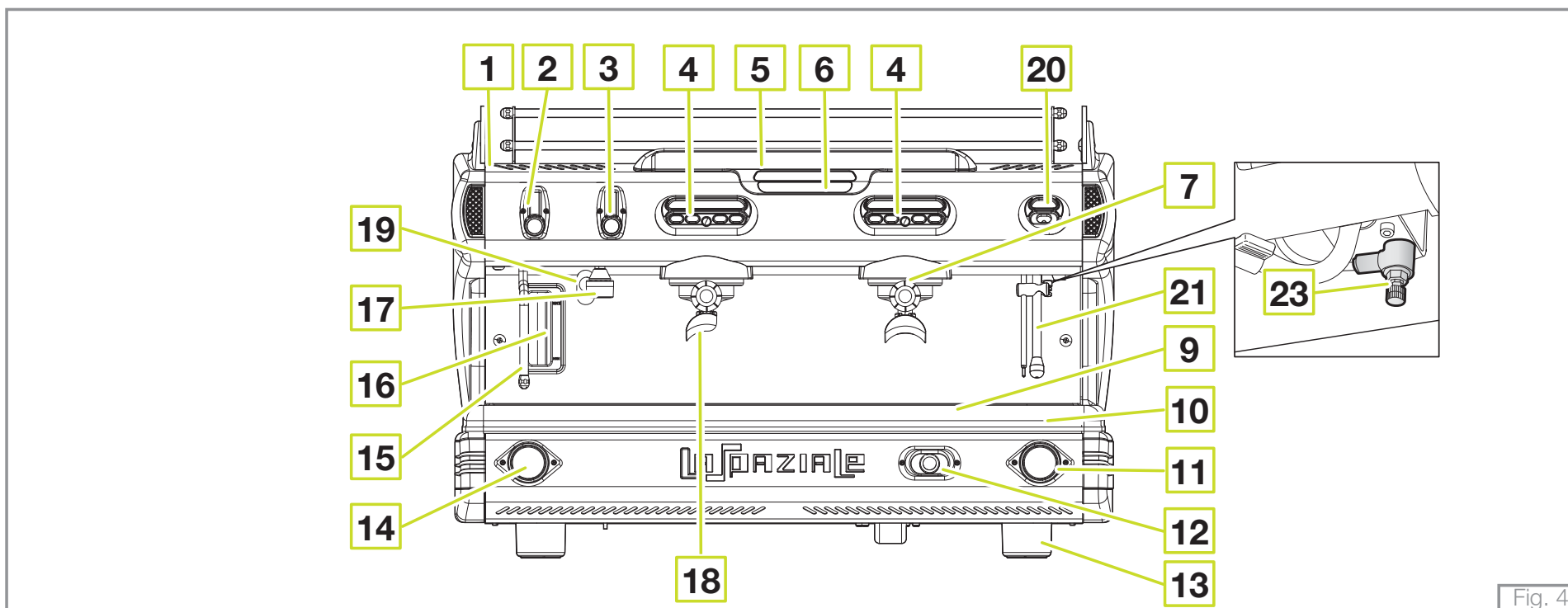


Fig. 4

### LEGEND

- 1. Top cup grid
- 2. Steam delivery knob
- 3. Hot water delivery knob
- 4. Touchpad
- 5. LED light display
- 6. Control panel
- 7. 2-cup filter holder
- 9. Drip tray grid

- 10. Water drip tray
- 11. Boiler pressure gauge
- 12. Main on/off switch
- 13. Adjustable foot
- 14. Water mains gauge
- 15. Left steam wand
- 16. Water level glass
- 17. Hot water output
- 18. One-cup filter holder

- 19. Filling valve tap
- 20. Automatic steam delivery button for milk foaming - M.A.T.- (optional)
- 21. Steam wand with temperature sensor - M.A.T. - (optional)
- 23. Air adjustment for milk foaming - M.A.T. - (optional)



**S8 AT**

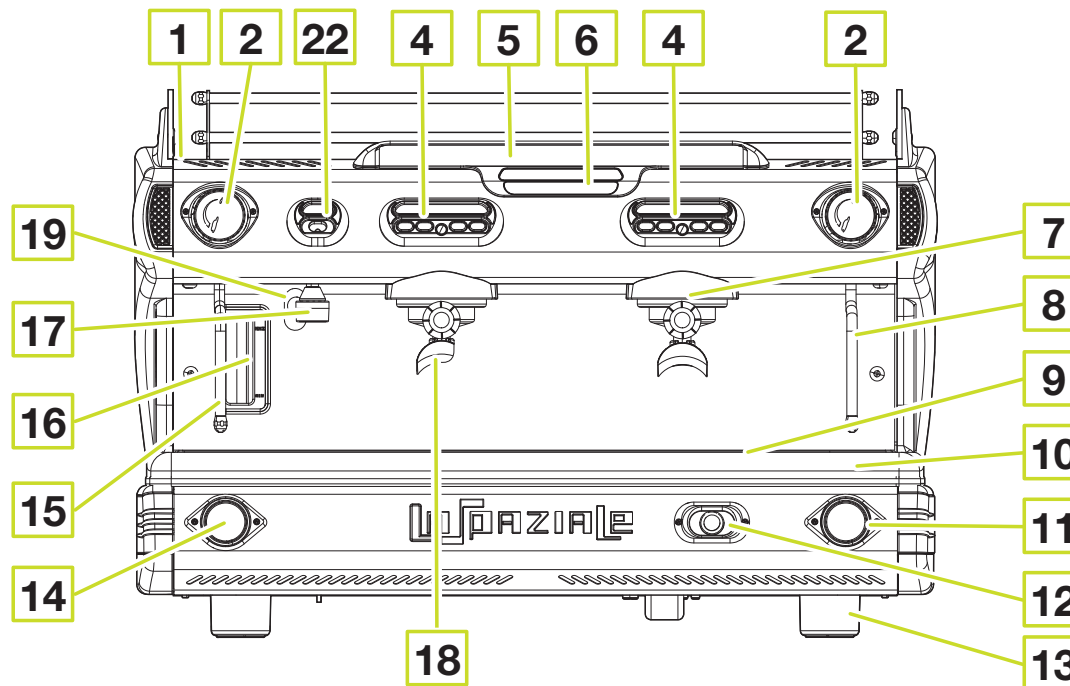


Fig. 5

**LEGEND**

- 1. Top cup grid
- 2. Steam delivery knob
- 4. Touchpad
- 5. LED light display
- 6. Control panel
- 7. 2-cup filter holder
- 8. Right steam wand
- 9. Drip tray grid

- 10. Water drip tray
- 11. Boiler pressure gauge
- 12. Main on/off switch
- 13. Adjustable foot
- 14. Water mains gauge
- 15. Left steam wand
- 16. Water level glass
- 17. Hot water output
- 18. One-cup filter holder

- 19. Filling valve tap
- 22. Timed hot water delivery button

## S9 AT

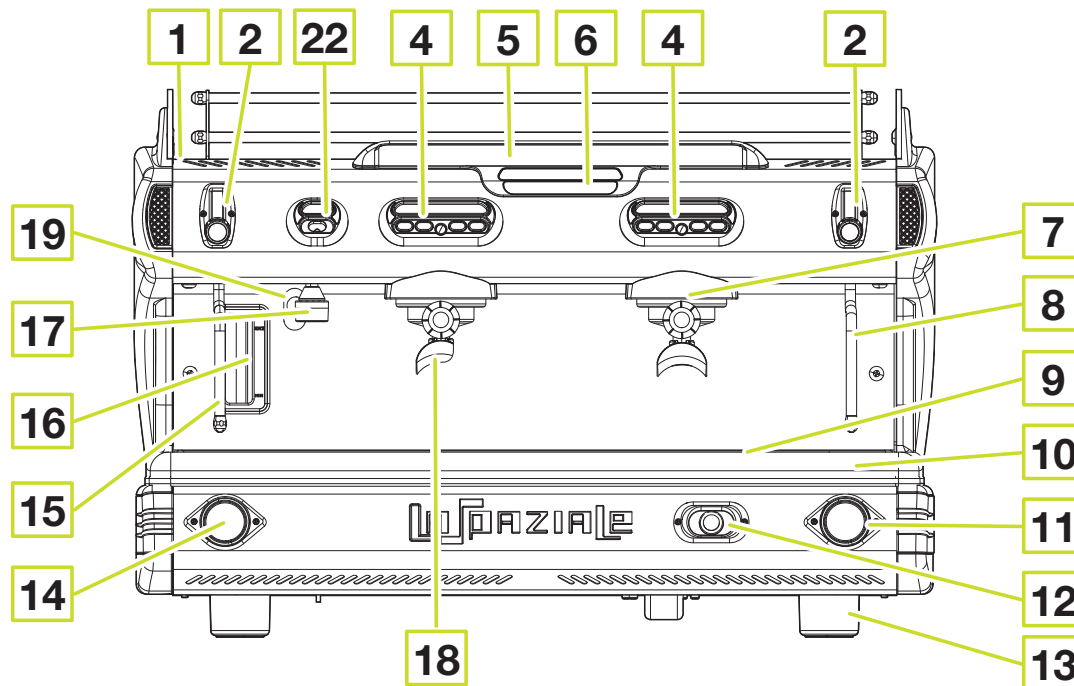


Fig. 6

### LEGEND

- 1. Top cup grid
- 2. Steam delivery knob
- 4. Touchpad
- 5. LED light display
- 6. Control panel
- 7. 2-cup filter holder
- 8. Right steam wand
- 9. Drip tray grid

- 10. Water drip tray
- 11. Boiler pressure gauge
- 12. Main on/off switch
- 13. Adjustable foot
- 14. Water mains gauge
- 15. Left steam wand
- 16. Water level glass
- 17. Hot water output
- 18. One-cup filter holder

- 19. Filling valve tap
- 22. Timed hot water delivery button

**COMPACT S8**

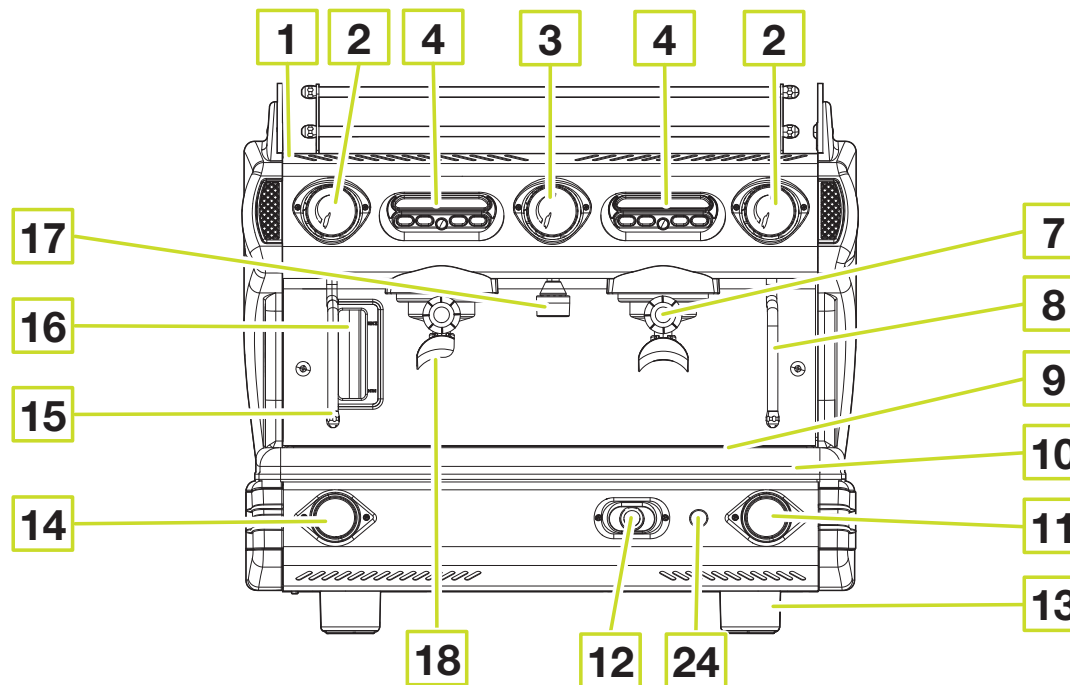


Fig. 7

**LEGEND**

- 1. Top cup grid
- 2. Steam delivery knob
- 3. Hot water delivery knob
- 4. Touchpad
- 7. 2-cup filter holder
- 8. Right steam wand
- 9. Drip tray grid
- 10. Water drip tray

- 11. Boiler pressure gauge
- 12. Main on/off switch
- 13. Adjustable foot
- 14. Water mains gauge
- 15. Left steam wand
- 16. Water level glass
- 17. Hot water output
- 18. One-cup filter holder
- 24. Electric cup warmer button (optional)

## COMPACT S9

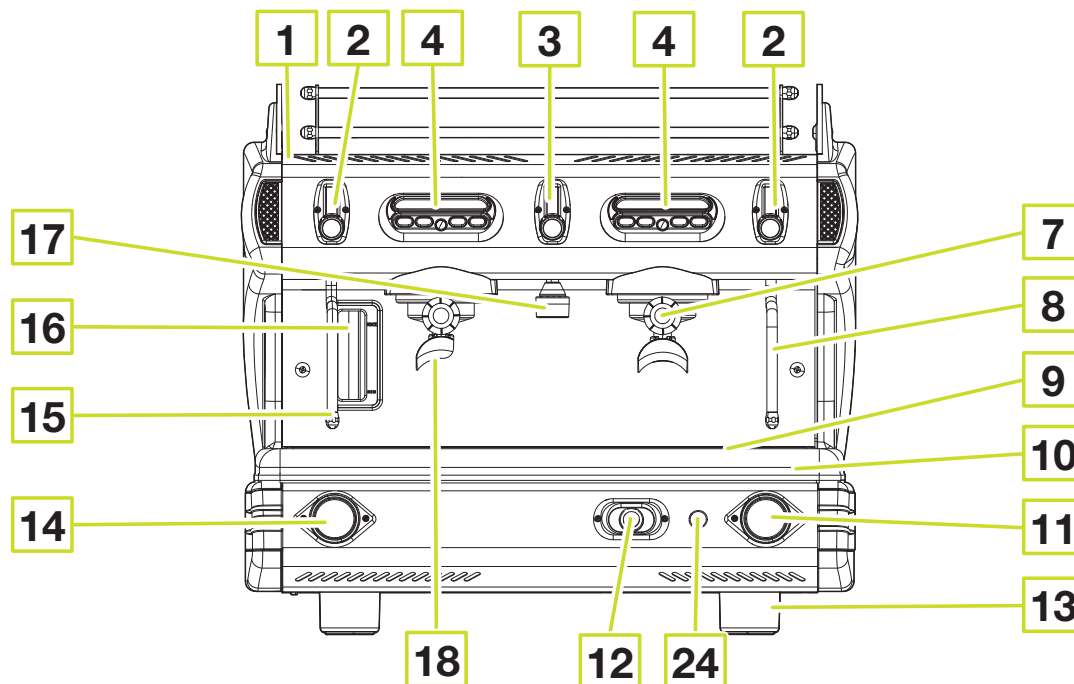


Fig. 8

### LEGEND

- 1. Top cup grid
- 2. Steam delivery knob
- 3. Hot water delivery knob
- 4. Touchpad
- 7. 2-cup filter holder
- 8. Right steam wand
- 9. Drip tray grid
- 10. Water drip tray

- 11. Boiler pressure gauge
- 12. Main on/off switch
- 13. Adjustable foot
- 14. Water mains gauge
- 15. Left steam wand
- 16. Water level glass
- 17. Hot water output
- 18. One-cup filter holder
- 24. Electric cup warmer button (optional)

## 1.1 CONTROL PANEL DESCRIPTION

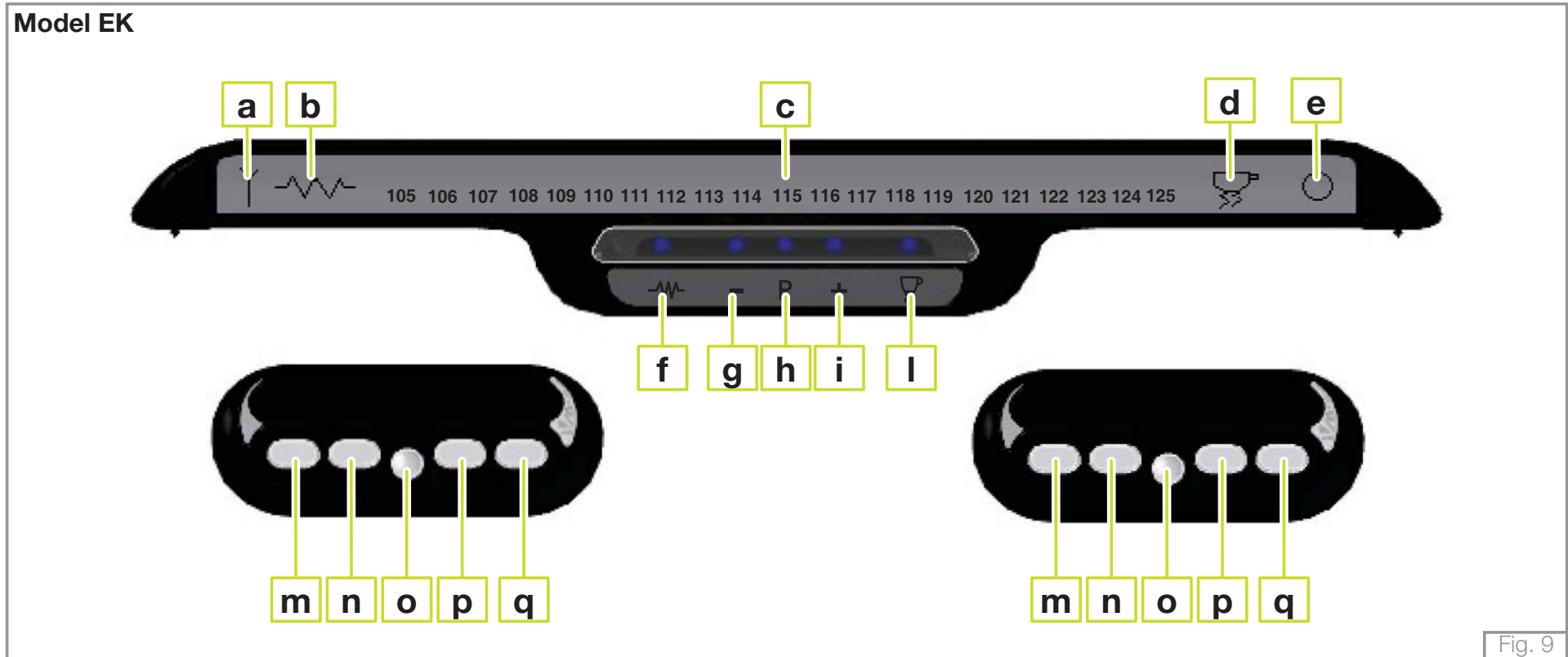
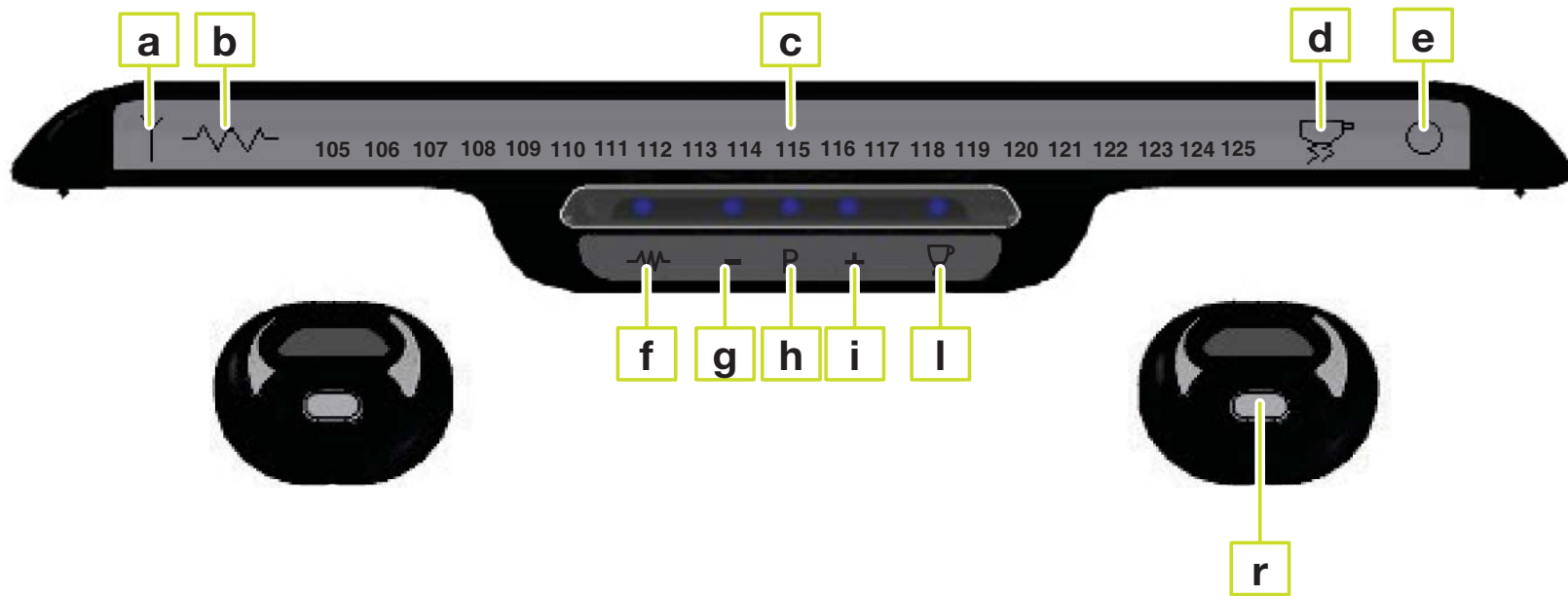


Fig. 9

### LEGEND

- |  |   |  |
|--|---|--|
| a. Technical assistance indicator (optional)             | f. ON/OFF button for appliance electric heating | m. 1 short coffee preset delivery button |
| b. Indicator light for electric heating system status    | g. Datum decrease button                        | n. 1 long coffee preset delivery button  |
| c. Temperature indicator lights                          | h. Datum confirmation button                    | o. Free flow delivery button             |
| d. Cup warmer heating element indicator light (optional) | i. Datum increase button                        | p. 2 short coffee preset delivery button |
| e. Stand/by indicator lights                             | l. Cup warmer heating element activation button | q. 2 long coffee preset delivery button  |

## Model EP



10

### LEGEND

- |  |   |                           |
|--|---|---------------------------|
| a. Technical assistance indicator (optional)             | f. ON/OFF button for appliance electric heating | r. Coffee delivery button |
| b. Indicator light for electric heating system status    | g. Datum decrease button                        |                           |
| c. Temperature indicator lights                          | h. Datum confirmation button                    |                           |
| d. Cup warmer heating element indicator light (optional) | i. Datum increase button                        |                           |
| e. Stand/by indicator lights                             | l. Cup warmer heating element activation button |                           |

## 2. GENERAL WARNINGS

Read carefully the instructions and warnings contained in this manual and in the “**INSTRUCTION MANUAL FOR THE INSTALLER**”, since they provide important indications concerning the installation of the appliance.

### **Attention!**

The electric system, water supply system, drainage system and gas system (in case the appliance is pre-fitted for gas), **MUST** already be put in place by the customer in order to allow the proper installation of the machine. The installation engineer cannot change the existing system put in place by the customer. See chapter 2.2: “Arrangements for installation provided by the customer.”

### **Attention!**

The appliance must be installed where use and maintenance are restricted to trained staff.

## 2.1 SAFETY NORMS

### **Attention!**

**CAREFULLY READ THE FOLLOWING WARNINGS, WHICH OFFER IMPORTANT GUIDELINES FOR THE SAFE USE AND MAINTENANCE OF THE APPLIANCE.**

The appliance must only be used for its intended purpose and it must be installed in a suitable place for its use. Any other use is therefore considered as improper and unreasonable.

The manufacturer cannot be held liable for any damage caused by improper, incorrect or unreasonable use. Installation must be carried out by qualified personnel according to current laws and to the manufacturer’s instructions. Incorrect installation may cause damage to people, animals or property for which the manufacturer cannot be held liable.

**Danger!**

The electrical safety of the appliance is fully achieved only after it has been correctly connected to an earthing system as required by the laws in force.

It is necessary to have the earthing connection checked by professionally qualified personnel. The manufacturer cannot be held liable for any damage caused by the lack or inefficiency of the system's earthing connection. The appliance has not been designed for outdoor use. It must only be operated in a place where the ambient temperature is between **+5°C and +40°C**.

**Attention!**

The use of any electrical appliance also requires observance of the following important regulations.

- Do not touch the appliance with wet or damp hands or feet.
- Do not use the appliance barefooted.
- Do not pull the power supply cord to unplug the appliance from the mains power.
- Do not allow children or unqualified people to use the appliance.
- Access to the appliance's service area must be restricted to those people with the relevant practical experience and familiarity with the appliance itself, especially in terms of safety and hygiene.
- The device is not supposed to be used by people ( children included) whose physical , sensory or mental capability are reduced or with lack of knowledge or experience, unless they could benefit, through the intermediation of a person in charge of their safety, of supervision or of instructions concerning the use of the appliance. Children must be kept under surveillance to be sure they do not play with the appliance.
- Before carrying out any routine maintenance or cleaning operation, disconnect the appliance from the mains power and close the water supply tap.
- In the event of damage and/or malfunction of the appliance, switch it off completely without trying to make any direct repairs. Contact the nearest Service Centre authorised by the manufacturer.
- In order to guarantee the proper efficiency and operation of the appliance, it is fundamentally important to follow the manufacturer's instructions, and to follow a regular maintenance schedule.



- The appliance has **IPX2** protection against water and therefore, it cannot be installed in areas where it may be subject to jets of water.
- The appliance has **class I** protection against electric shocks.
- The noise emitted by the appliance during normal operation is less than **70 dB**.

**Attention!**

Failure to comply with the above regulations could jeopardise the correct operation and safety of the appliance as well as its useful lifetime.

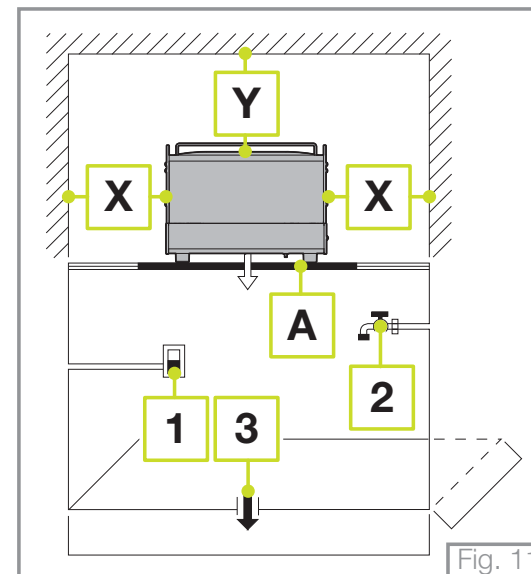
## 2.2 INSTALLATION REQUIREMENTS FOR THE USER

The machine has to be placed on a stable flat surface that can guarantee a safe position. Check this important requirement, since the manufacturer cannot be considered liable for any damage caused by the instability of the appliance. While preparing the systems, take into account that a hole is needed on the bearing surface in order to carry out all electric and water connections through the opening below where a water softener will need to be placed, if recommended by the installation engineer.

A hole of **10 x 10 cm** is enough in the area (a) as indicated in Pict. 11.

The minimum size of the opening below is:

- height cm. 60
- width cm. 40
- depth cm. 40



**Legend:**

- 1** multi-pole power switch with a switch-contact gap of at least 3 mm.
- 2** Water supply tap
- 3** Drain siphon

- X** min. 20 cm.
- Y** min. 40 cm.
- Z\*** min. 10 cm.

\*) Distance between the back of the appliance and the wall.

- Between the water mains and the water inlet pipe of the appliance, there must be a tap to stop the water flow if necessary (2 - Pict.11).
- Water mains pressure must be within the range of **1 and 5 bar**.  
If this requirement is not met, please consult the manufacturer.
- The appliance is supplied without a plug. It is supposed to be directly connected to the power supply and therefore, it is necessary to fit a multi-pole power switch with a switch-contact gap of at least 3mm or more beforehand, according to the regulations in force (1 - Pict.11).
- The drainpipe of the appliance must be directly connected to a suitable open drain siphon, previously installed by the customer (3 - Pict.11). Do not fit the drain pipe into basins or buckets placed under the counter as this will increase the possibility of forming dirt deposits and as a result, the spread of bacteria.

 **Attention!**

The appliance is supplied without water in the boiler. This is to prevent serious damage if the appliance is exposed to low temperatures. The appliance must only be supplied with cold drinking water.

## 2.3 WARNING/TECHNICAL DATA LABELS AND PLATES APPLIED TO THE MACHINE

In the picture below are shown the warning/technical data labels and plates placed on the machine.

### **Warning!**

Dedicate the time necessary to get to know these labels.

Make sure that they are readable and keep them clean or replace those that have deteriorated or have become illegible (both text and graphics).

Use a soft cloth, soap and water to clean the labels. Do not use solvents, petrol, etc.

If a label is placed on a component part that has to be replaced, make sure that the new component has the same label applied or a new one.

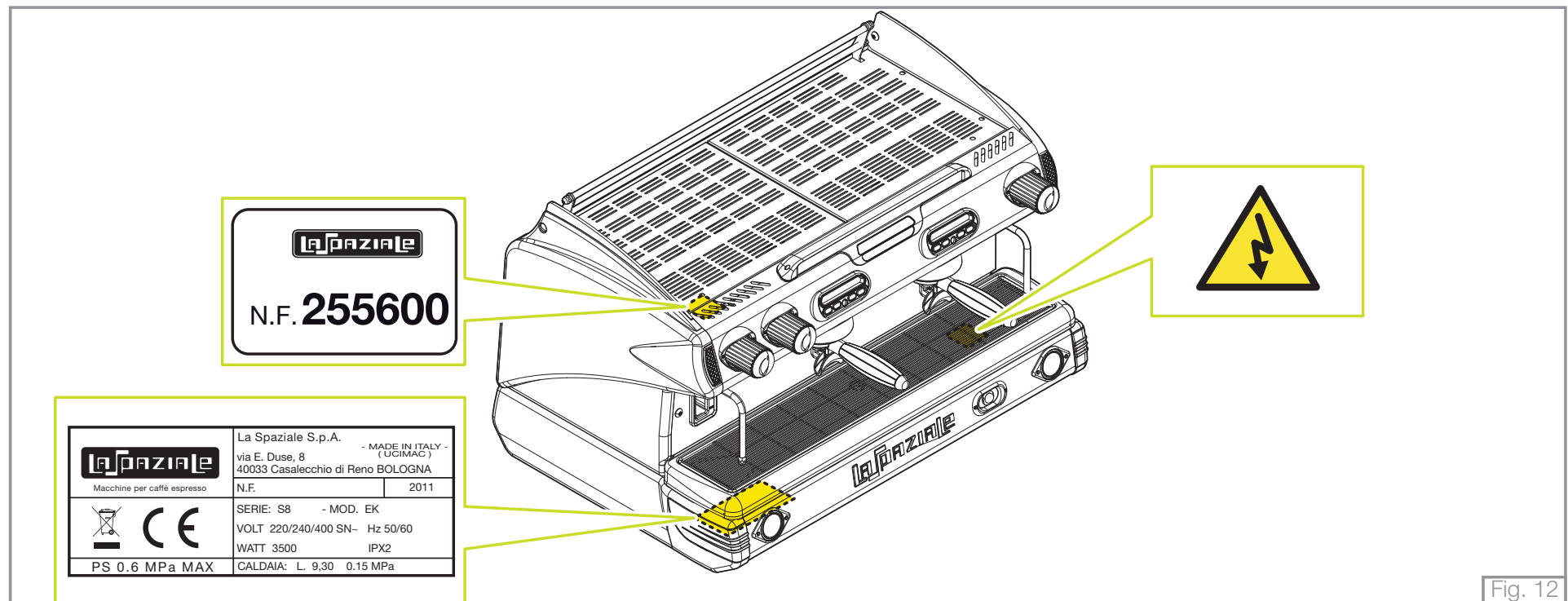


Fig. 12

### 3. REMOVING THE PACKAGING

After unpacking the machine, please check its integrity; in case of doubt, do not use it and consult the manufacturer. Packaging materials must not be left within children's reach since they are potentially dangerous.



The appliance weight is more than 30 kg and therefore, it cannot be moved by a single person alone.



Dispose of the packaging as per the norms in force of the country in which the machine is used.

#### 3.1 STANDARD OUTFIT OF THE MACHINE

##### LEGEND

- A. 1 set of filter holders with relative spouts
- B. 1 complete set of hoses for connection to water mains
- C. 2 sets of filters
- D. 1 set of shower heads
- E. 1 wrench for shower head removal
- F. 1 brush
- G. 1 motor-driven pump (unless already built in)
- H. 1 manual coffee tamper

### **3.2 OPTIONAL ACCESSORIES** **(Supplied only on request of the customer)**

#### **LEGEND**

- I. Water softener
- L. Water line impurity filter
- M. Pressure reducer
- N. Detergent

### **4. STARTING ELECTRIC AND WATER SYSTEM**

- a) Open the water supply tap as arranged in the preparation for installation **(See Pict. 11 on page 15 - Rif. 2).**
- b) Check for any water leaks from the pipes/connections.
- c) Turn on the main switch as arranged in the preparation for installation **(See Pict. 11 on page 15 - Rif. 1).**

## 5. SWITCHING ON THE MACHINE

### FILLING THE BOILER

- A. Open the water supply tap as arranged during the preparatory stages (**See Pict. 11 on page 15 - Rif. 2**).
- B. Verify that the water mains pressure (approx. 4 bar) is visualized on the water mains pressure gauge (14).
- C. Push the manual filling valve on the appliance (19) until the boiler level indicator is halfway (17).

In the **Compact** model, in order to have access to such tap, remove the drip tray (10); moreover, the tap closing is manual.

### SWITCHING ON THE APPLIANCE

- A. Turn on the power supply switch that was prearranged during the system preparation (**see Pict. 11 page 15 – Ref. 1**), and then turn on the machine's main switch (12).  
Once the machine is switched on, an electronic components check is carried through in the **S8-S9** series machines; all the symbols on the control panel, from left to right, are progressively turned on. At the end of this process, the symbol for the temperature setting will start to blink to indicate that the appliance is heating up.

In the **Compact** model, once the machine is switched on all the LED lights of the touch pads turn on.



#### **Take note!**

According to the amount of water filled manually, it is possible to activate the automatic refill system when the switch (12) is turned on, until the boiler water level indicated by the manufacturer is reached.

### HEATING PHASE AND OPERATION SETTING OF THE APPLIANCE

- A. Fasten the filter holders (7-18) to the delivery groups.
- B. Open the steam delivery valves (rotate the steam delivery knobs counterclockwise in the **S8** series machines, or move the lever upwards in the **S9** series machines), then move the steam wands (8-15) onto the grid (9).
- C. Wait for steam to come out of the wands (8-15), and then close the steam delivery knobs (rotating the knobs clockwise in the **S8** series machines or moving the levers downwards in the **S9** series machines).

- D. Wait for the machine to reach the operating temperature, which can be visualized on the boiler pressure (11) positioned on the appliance on **Compact** series machines; on **S8-S9** series machines check on the LED light display (5) for the operating temperature (expressed in °C) preset at the moment of the installation, to be attained.
- During the heating phase, make sure that the symbols on the control panel (5) switch on progressively as the temperature rises. The display will start to show this as soon as the temperature reaches 105 °C and will continue until the appliance reaches its operating temperature (the set temperature symbol will go from flashing to fixed). Each time that the temperature drops below the preset valve, the symbol indicating the operating temperature will start to flash (heating phase) until the set temperature is reached.
- E. The appliance is ready for use.

**Take note!**

The operating temperature is the temperature of the boiler during normal operation.

## 5.1 COFFEE PREPARATION

- A. Remove a filter holder (7 or 18 a according to whether 1 or 2 cups of coffee are required) from the delivery group.
- B. Fill with ground coffee, taking care not to leave any coffee powder residues on the top edge of the filter holder, then press it using the special coffee tamper supplied.
- C. Attach the filter holder firmly.
- D. Place one or two cups below the filter holder (7 or 18 a according to whether 1 or 2 cups of coffee are required).
- E. **EP MODEL** Push the button (r) on the delivery group until the required coffee amount has been delivered, then manually stop the delivery function by pressing the same button again.
- F. **EK MODEL** simply to press any of the coffee delivery buttons (m-n-p-q) with pre-set doses (set during installation) or alternatively, use the free flow delivery button (o).

**Take note!**

To stop coffee delivery earlier after using one of the buttons with pre-set doses, simply press again the same button on the same touchpad.

## 5.2 TAKING HOT WATER FOR INFUSIONS

- A. Place the pitcher underneath the hot water spout.
- B. Open the valve (3) by turning the knob in the **S8** series machines or by moving the lever upwards in the **S9** series machines until amount the desired of water is withdrawn.
- C. In order to stop the withdrawal close the valve by bringing back the knob or the lever to the initial position.



### *Attention!*

Do not use the knob to deliver hot water before placing the pitcher below the hot water spout, to prevent possible burns.

## 5.3 TIMED HOT WATER FOR INFUSIONS - A.T. - (S8-S9 series, optional)

- A. Place the pitcher underneath the hot water spout (16).
- B. Press the button for timed hot water delivery (22).
- C. The water will be delivered for the time set when the machine was installed.



### *Take note!*

Do not press the button for timed hot water delivery (22) before placing the pitcher below the hot water spout, in order to prevent possible burns.



## 5.4 STEAM DELIVERY FOR HOT DRINK PREPARATION

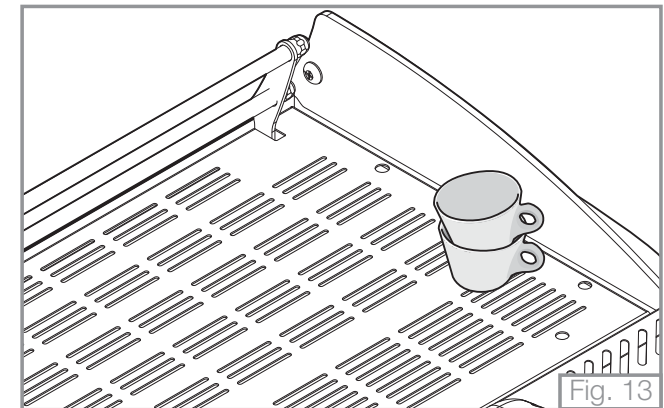
- A. Insert the steam wand (8-15) into the pitcher containing the drink to be heated up.
- B. Rotate the corresponding steam wand handle grip clockwise in the **S8** series machine, or move the knob upward in the **S9** series machine.
- C. At the end of the heating of the drink, shut the steam delivery by rotating the handle grip (2) clockwise in the **S8** series machine or by moving the knob downward in the **S9** series machine.

### **Attention!**

Do not turn the knob (2) to deliver steam before inserting the steam wand (8-15) into the pitcher in order to prevent possible burns.

## 5.5 ELECTRIC CUP WARMER (Optional)

The appliances can also be equipped with an electric cup warmer (as optional) for an additional cup heating. To switch on the cup warmer, press the button (I). Press the same button to switch it off.



## 5.6 TEMPORARY TEMPERATURE INCREASE FUNCTION (S8-S9 series)

When the machine is operated in conditions which may considerably reduce its temperature, the boiler temperature can be increased by 2°C by pressing the (i) button for approximately 2 seconds; by doing this, the programmed SET temperature keeps blinking and at the same time the temperature symbol, 2°C higher with respect to the programmed SET, starts blinking as well (e.g. if the SET is 120°C, it blinks and keeps blinking, while the 122°C SET starts blinking as well).

The new SET will follow the temperature trend, flashing when the appliance is heating up and fixed when the set temperature has been reached.

To return to the initial status, press the button (g) for about 5 seconds.

## 5.7 AUTOMATIC SYSTEM FOR MILK EMULSION WITH ADJUSTABLE TEMPERATURE - M.A.T. (S8-S9 series, optional)

Appliances fitted with this system can foam milk in a completely automatic way.

- A.** Insert the steam wand with temperature sensor (21) into the pitcher of milk.
- B.** Press the automatic steam delivery button for milk (20).
- C.** The steam delivery will stop automatically as soon as the temperature set during installation has been reached.
- D.** When the milk has been foamed, remove the pitcher and use a damp sponge to clean all milk residues from the steam wand with temperature sensor (21).

### **Take note!**

Do not press the automatic steam delivery button for milk foaming (20) before inserting the steam wand with temperature sensor (21) into the pitcher, in order to prevent possible burns.

### **Warning!**

To adjust milk foaming, use the regulator (23) located on the back of the front panel, next to the steam wand with temperature sensor (21).

Turn the adjustment screw anticlockwise to increase milk foaming.

Turn the adjustment screw clockwise to reduce milk foaming.

**Attention!**

When adjusting the milk foaming level, make sure not to touch the steam wand with temperature sensor (21) or wear protective gloves, to prevent possible burns.

### 5.8 CHRONO FUNCTION (optional)

Chrono function allows to visualize on a display the delivery time of each coffee delivery group.

When the machine is switched on, the display will first show 'LA SPAZIALE' logo and then the display software version.  
When any button of the 1st, 2nd, 3rd, 4th group is pressed, the display will show the delivery time of the selected group.  
At the end of the delivery, the extraction time stays on the display until the next delivery.

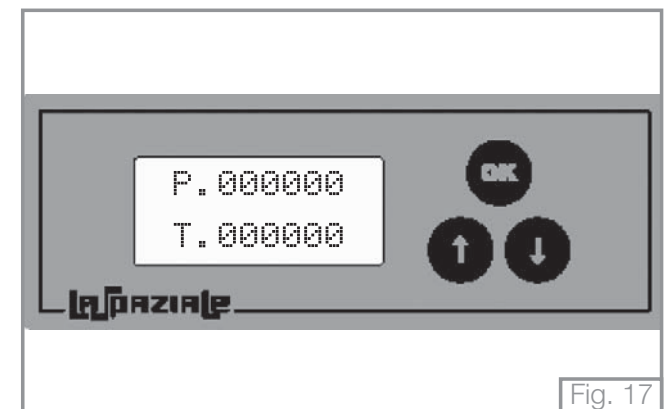


In the event of simultaneous deliveries on different groups the display shows the delivery time of the last activated group.

Push the button  to visualize the delivery times of the groups that had been previously activated.

## 5.9 COUNTER FUNCTION (optional)

COUNTER function allows to record the number of cups of coffee that have been delivered by the machine.



Once the machine is switched on, the display shows for a few seconds the date and then the partial and total counters.

By pushing the “one short coffee” and “one long coffee” buttons, the counters are increased of one unit. By pushing the “two short coffee” and “two long coffee” buttons, the counters are increased of two units.

 **Take note!**


The counters are increased only when the deliveries are equal to or longer than 7 seconds.

**RESET**

To reset the partial counter, push the OK button and hold it for 3 seconds; the display will show:



With the (NO) sign flashing.

Push the button , the (YES) sign flashes, push the OK button to confirm the partial counter reset; the display will show for some seconds:



then the display shows the counters again.



**Take note!**

It's not possible to reset the total counter.

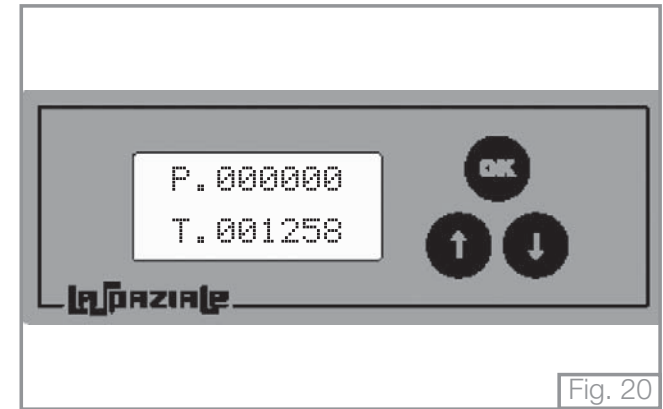


Fig. 20

## 5.10 ALARM MANAGEMENT SERIES S8 - S9

The machines of this series signal possible malfunctions through symbols on the control panel and touchpads.

### 1. LED CORRESPONDING TO THE COFFEE DOSE BEING DELIVERED FLASHING AFTER 5-6 SECONDS (EK model only):

Too fine grinding.

Failed reading of the pulses sent by the flow meter to the delivery group.

After checking grinding, if the problem continues, contact an authorised Service Centre.

### 2. ALL DOSE SYMBOLS ON ALL TOUCHPADS FLASHING AND TEMPERATURE SYMBOLS SWITCHED OFF:

The automatic refill system for the boiler has been operating for longer than 3 minutes (total block of all machine functions).

To return to normal operation, turn off the machine with the ON/OFF switch (12).

If the problem persists, switch off the appliance and contact an authorised Service Centre.

### 3. "125 °C" SYMBOL ON AND BLINKING; ALL OTHER SYMBOLS SWITCHED OFF:

When the temperature taken by the sensor is above 140°C (total block of all machine functions).

To return to normal operation, turn off the machine with the ON/OFF switch (12).

If the problem persists, switch off the appliance and contact an authorised Service Centre.

**4. “105 °C” SYMBOL BLINKING AND ALL OTHER SYMBOLS SWITCHED OFF:**

When, 20 minutes after switching on, the temperature taken by the sensor is less than 60 °C (total block of all machine functions).

To return to normal operation, turn off the machine with the ON/OFF switch (12).

If the problem persists, switch off the appliance and contact an authorised Service Centre.

**5. ALL TEMPERATURE SYMBOLS FLASHING AND ALL TOUCHPAD SYMBOLS SWITCHED OFF:**

Temperature sensor in short circuit or failure (total block of all machine functions).

Switch off the appliance and contact an authorised Service Centre.

**6. M.A.T. SYSTEM DELIVERY BUTTON SYMBOL SWITCHED OFF (only if present):**

M.A.T. temperature probe short circuit or failure.

Contact an authorised Service Centre.

***Take note!***

When this alarm condition occurs, it is still possible to foam milk automatically by holding down the M.A.T. delivery button (20) until the required temperature is reached. When the button is released, steam delivery will stop.

**7. TECHNICAL ASSISTANCE SYMBOL LIGHT ON**

**(only if SERVICE control has been set by the Technical Assistance):**

This means the number of pre-set solenoid valve action cycles has reached the set alarm threshold.

Contact an authorised Service Centre.

**8. TECHNICAL ASSISTANCE SYMBOL LIGHT FLASHING**

**(only if FILTER control has been set by the Technical Assistance):**

Pre-loaded this means the number of litres for the softener has reached the set alarm threshold.

Contact an authorised Service Centre.

## 5.11 COMPACT EK MODEL ALARM MANAGEMENT

### **LED CORRESPONDING TO THE COFFEE DOSE BEING DELIVERED, FLASHING AFTER 5-6 SECONDS:**

Too fine grinding.

Failed reading of the pulses sent by the flow meter to the delivery group.

### **ALL LEDS CORRESPONDING TO ALL DOSES ON ALL TOUCHPADS FLASHING:**

The automatic filling function for the boiler tank has been operating for more than 4 minutes, total machine block. To return to the standard operating phase, switch the machine off using the main ON/OFF switch.

If the problem keeps occurring several times, verify the automatic boiler filling system.

## 5.12 COMPACT EP ALARM MANAGEMENT

### **TOUCHPAD SYMBOLS FLASHING ALTERNATELY:**

The automatic boiler filling function has been operating for more than 4 minutes, total machine block. To return to the standard operating phase, switch the machine off using the main ON/OFF switch.

If the problem keeps occurring several times, verify the automatic boiler filling system.



## 6 ROUTINE APPLIANCE MAINTENANCE TO BE PERFORMED BY THE USER

### **Take note!**

To grant the efficiency of the appliance and to maintain correct operation, it is necessary to follow the manufacturer's instructions as to cleaning and regular maintenance.

### **Attention!**

Cleaning and routine maintenance operations must be carried out by the user according to the manufacturer's instructions given here below. Before performing any cleaning operation, make sure the machine is unplugged from the power supply. Cleaning and routine maintenance operations must be carried out when the machine is cold and using protective gloves to prevent abrasions.

### DAILY AT THE END OF THE JOB

#### 1) Replacing the water in the boiler.

After turning off the appliance, replace the water in the boiler as follows:

- Place a container that can withstand high temperatures below the hot water spout (16) to prevent any hot water spills.
- Open, by rotating it anti-clockwise, the corresponding valve knob (3) in the **S8** series machine or move upwards the lever (3) in the **S9** series machine up to the complete emptying of the boiler. Close the valve (3) and switch the machine back on. The correct water level gets restored automatically in the boiler.

#### 2) Then clean the filter holders and the filters with the brush provided, making sure no dirt is left inside the filter holders and that all filter holes are clean.

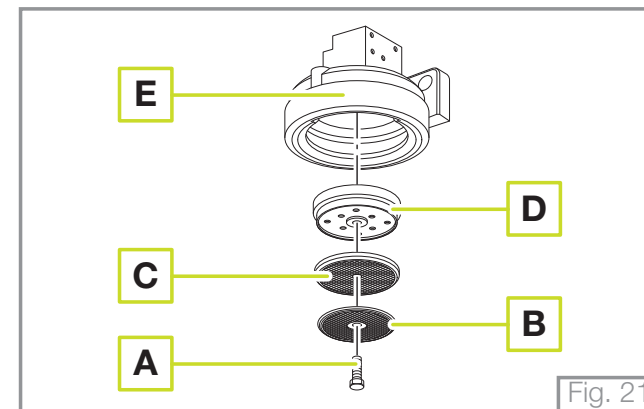
#### 3) Clean the shower heads below the delivery groups with the brush.

#### 4) Clean the drip tray (10) and the cup grid (9), using the standard detergents available on the market, if necessary.

**Every 3 days**

After turning off the machine, remove the shower heads using the wrench provided; brush them carefully, making sure that all the holes are clean. Then reassemble the parts following the sequence shown in the picture 21.

- A. Fastening screw
- B. Small shower head
- C. Large shower head
- D. Diffuser
- E. Delivery group

**Take note!**

Do not use water jets to clean the machine.

**Attention!**

At the end of each workday and after performing the daily cleaning operations, deactivate the machine by closing the electrical system switch and the water mains tap (fig. 11 – page 15).

**WATER SOFTENER**

If the installation of a water softener has been recommended by the installation engineer because of hard water and problems of scale deposits, it is necessary to follow the instructions of the water softener's manufacturer (periodic regeneration).

**BODY MACHINE**

Clean the body of the machine using mild detergents to avoid any damage.  
We recommend not to use abrasive sponges that could damage the body panels.

## 7 TECHNICAL DATA

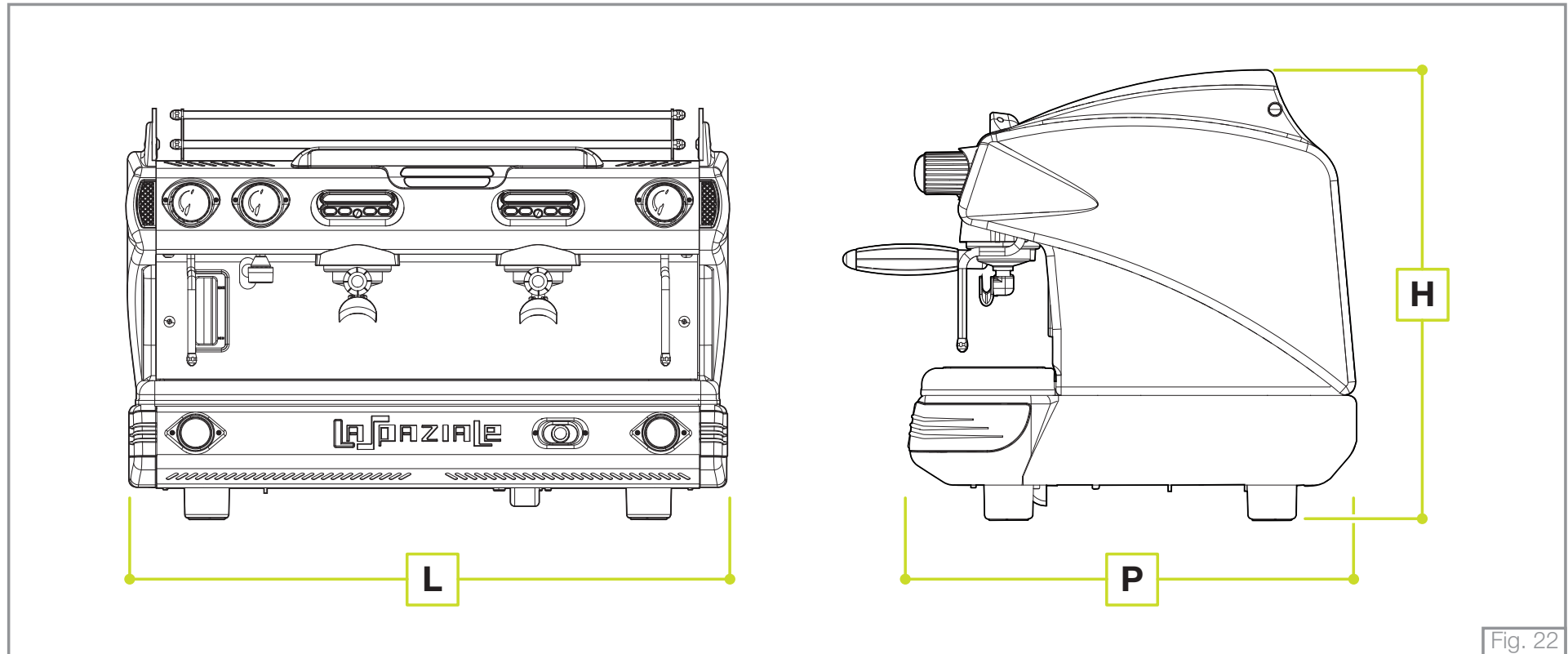


Fig. 22

DIMENSIONS AND WEIGHT				
S8 - S9	2 GR	3 GR	4 GR	COMPACT
L	770	1000	1235	580
H	520	520	520	520
P	530	530	530	530
WEIGHT KG	65	80	97	54

POWER SUPPLY RATING AND ABSORPTION				
S8 - S9	2 GR	3 GR	4 GR	COMPACT
VOLT	220/240/400	220/240/400	220/240/400	220/240
Hz	50/60	50/60	50/60	50/60
W	3500	4500	6000	3000
W+	4100	6500	-	3800

The 'W+' symbol refers to the machine's power with upgraded heating element.

S8 - S9

---



S8 - S9

---





espresso coffee machines

## La Spaziale S.p.A.

Via E. Duse, 8  
40033 Casalecchio di Reno  
Bologna - (Italy)

 +39 051 611.10.11

 +39 051 611.10.40

 [info@laspaziale.com](mailto:info@laspaziale.com)

 [www.laspaziale.com](http://www.laspaziale.com)